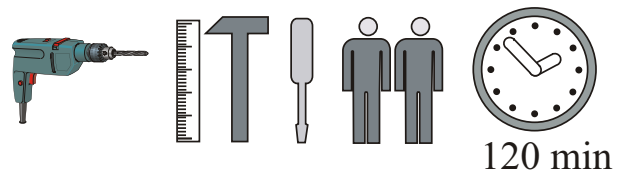
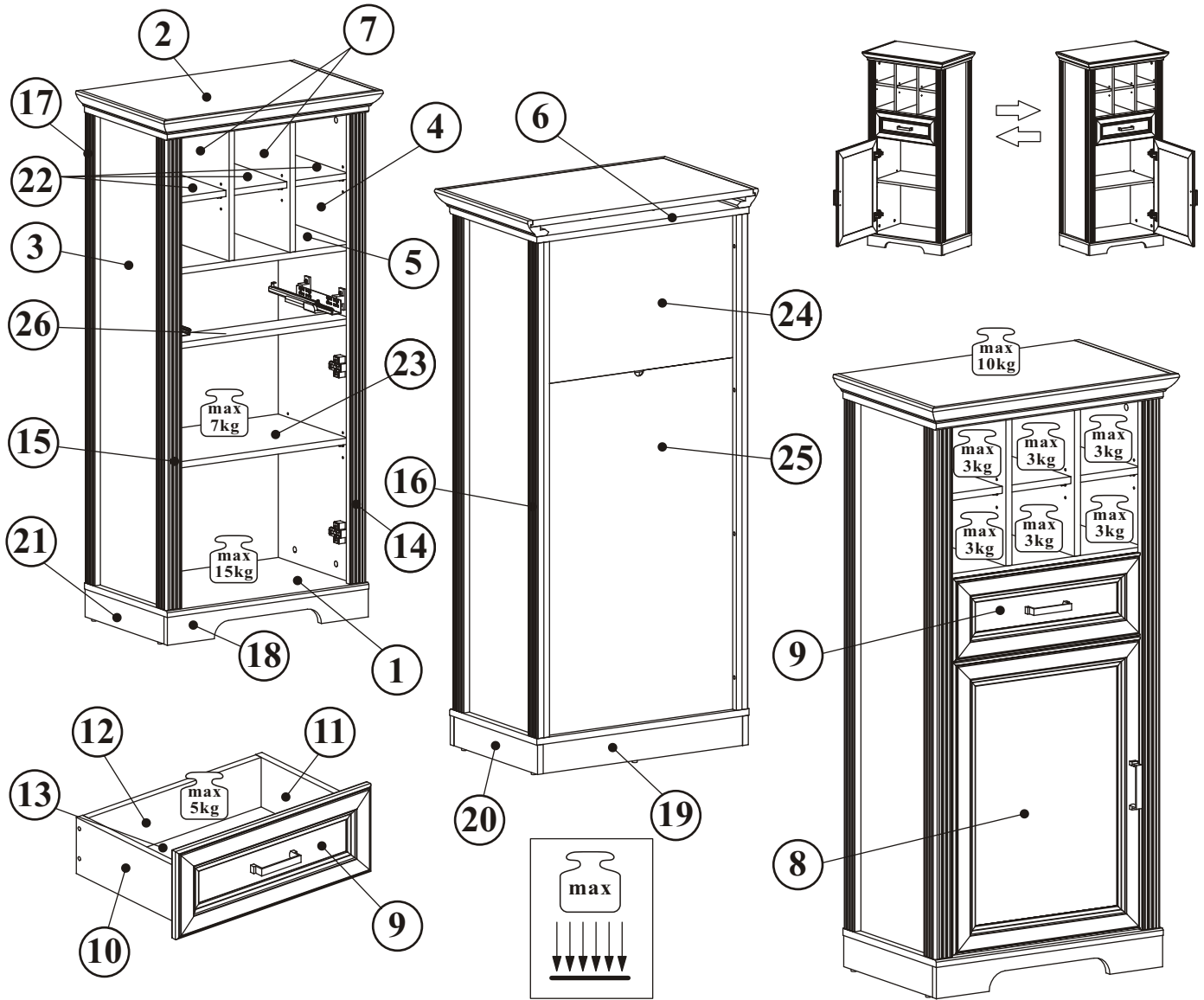
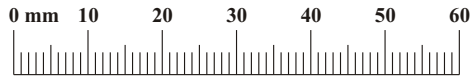


JASMIN 10G9_04



NO	Dim.		Col.-No	Qty
1	602	386	1	1
2	655	413	1	1
3	1213	359	2	1
4	1213	359	2	1
5	530	339	1	1
6	602	386	1	1
7	340	339	1	2
8	668	496	1	1
9	496	188	1	1
10	300	120	2	1
11	300	120	2	1
12	440	106	2	1
13	304	452	1	1

NO	Dim.		Col.-No	Qty
14	1213	49	2	1
15	1213	49	2	1
16	1213	43	2	1
17	1213	43	2	1
18	600	72	2	1
19	566	72	2	1
20	369	72	2	1
21	369	72	2	1
22	166	324	2	1
23	530	324	2	1
24	354	542	1	1
25	871	542	1	1
26	530	80	2	1



H1	
x4	

A1	
x38	ø8x36

B4	
x26	

B5	
x26	ø15x12

G5	
x26	

G7	
x10	

HA	
x6	

S1	
x14	

E17	
x2	H=16

E13	
x2	H=2

Z2	
x5	ø5

L1	
x1	

KR1	
x1	

EK8	
x4	EKØ6,3x24

D10	
x8	USØ3,5x13

UP13	
x11	UPØ3x16

D20	
x4	ESØ6,3x9,5

QU	
x1	L-300

I2	
x5	

B11	
x12	Ø7x50

B14	
x22	Ø7x30

G4	
x34	

KM1	
x1	

G16	
x4	

E0	
x2	H=11

C19	
x2	

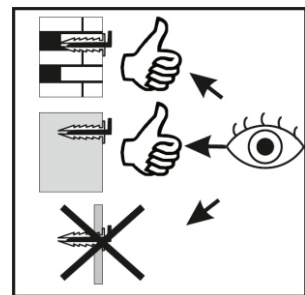
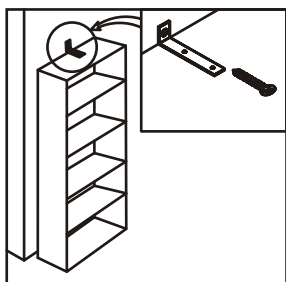
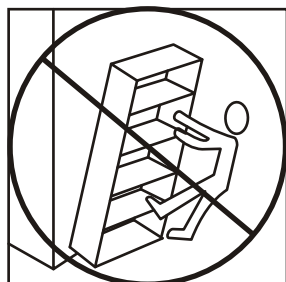
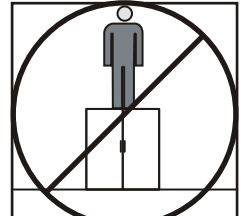
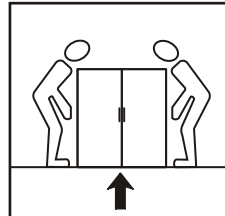
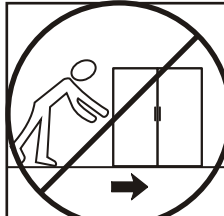
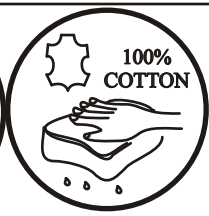
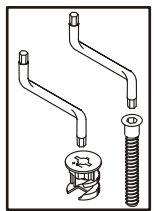
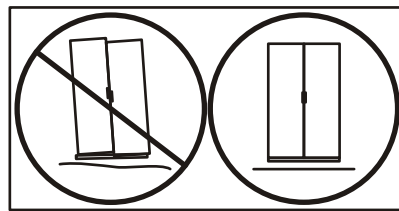
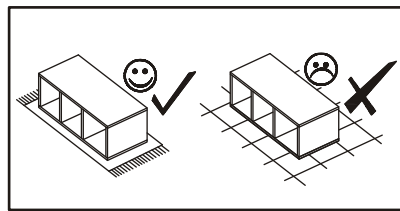
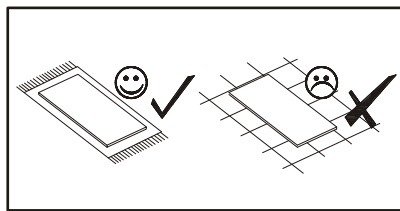
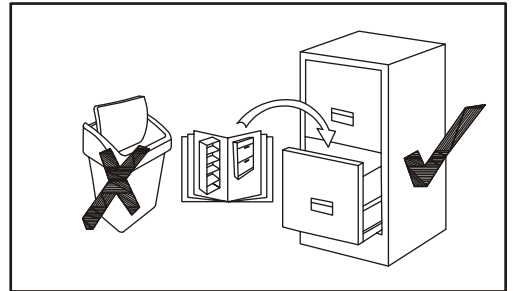
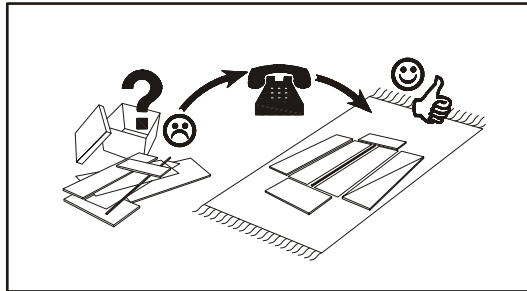
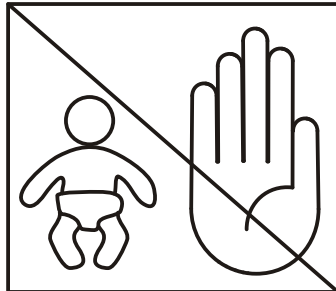
D16	
x2	M4x16

D4	
x2	M4x30

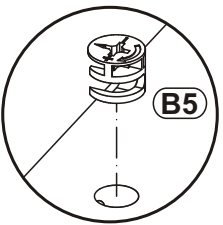
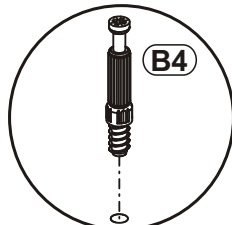
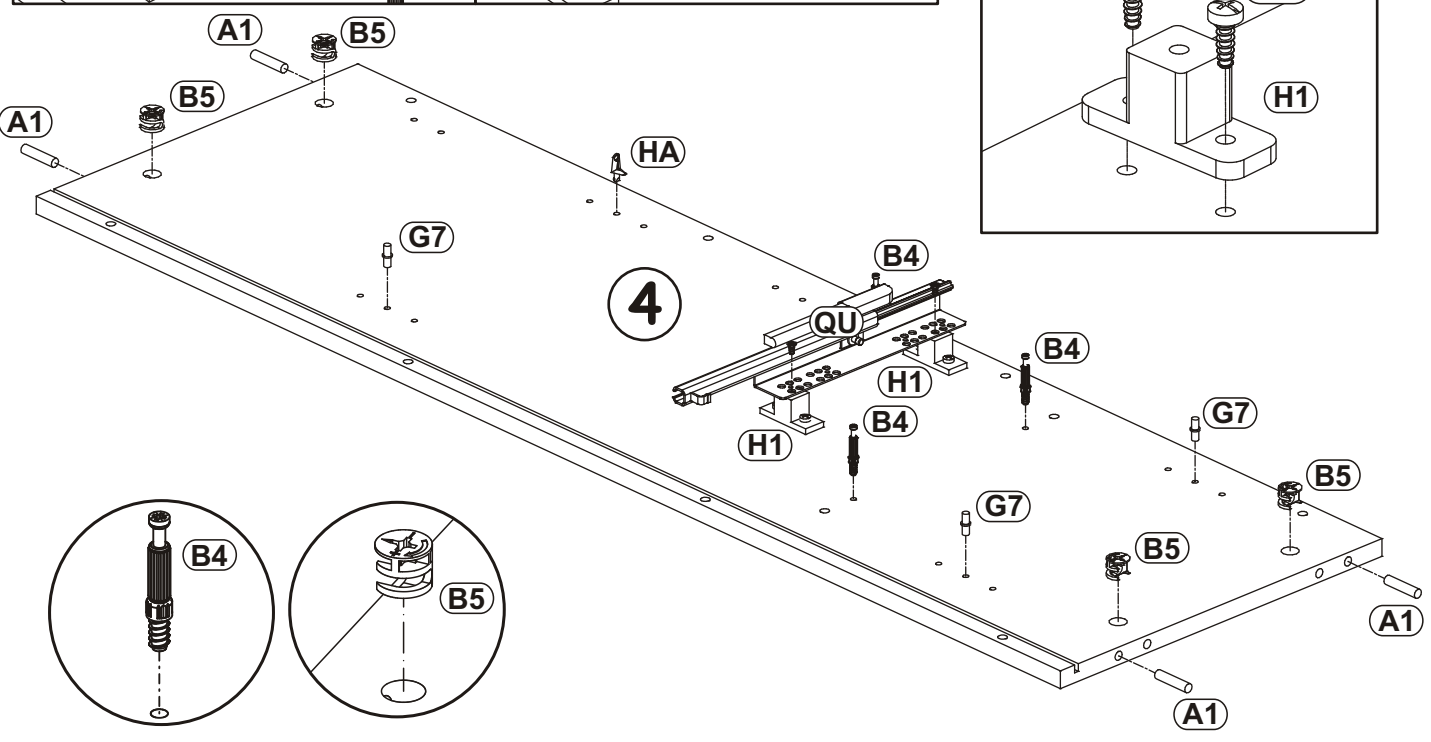
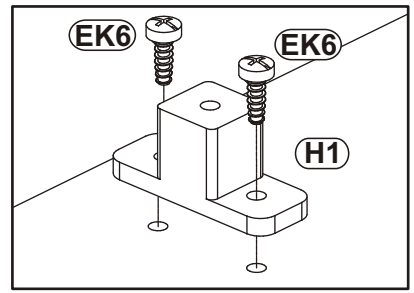
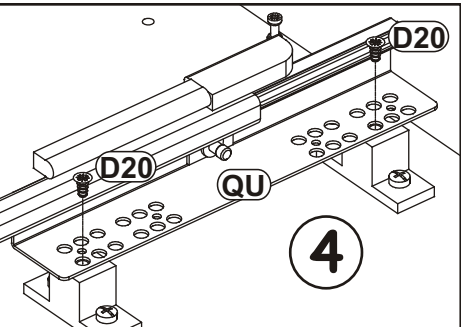
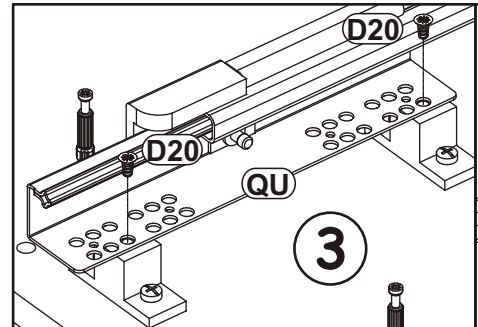
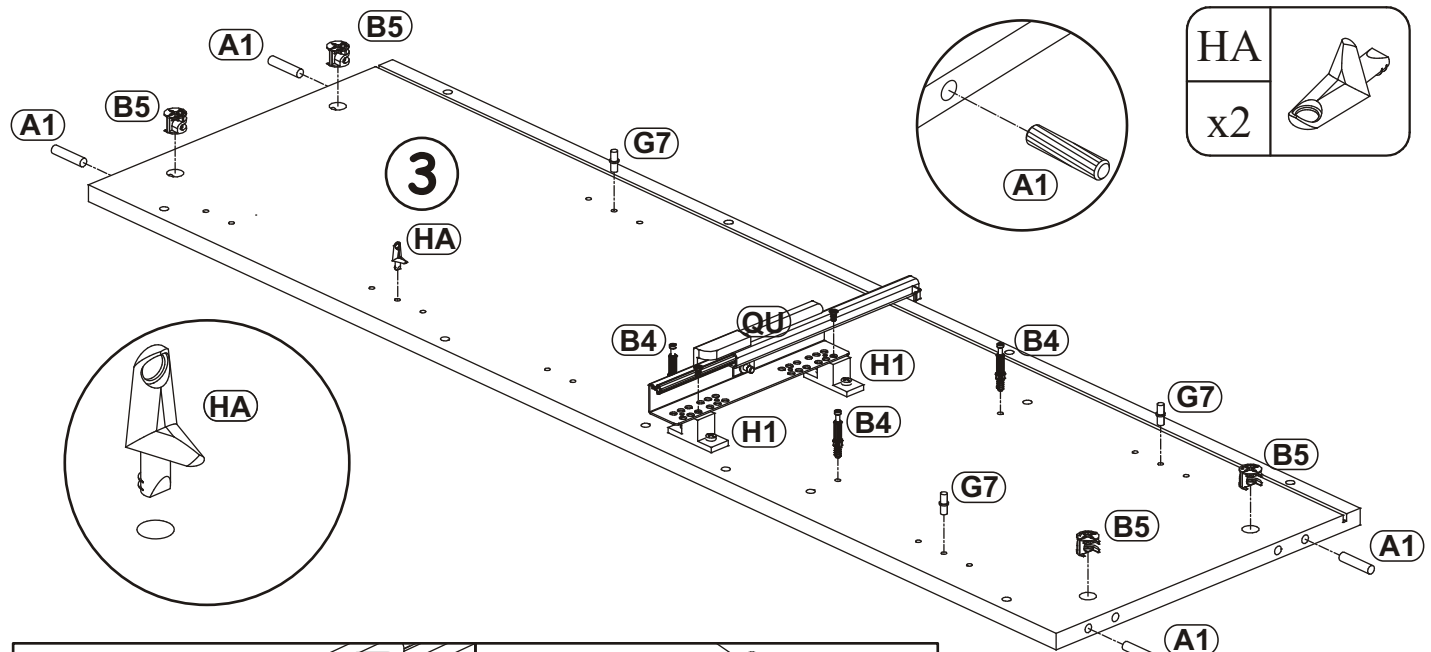
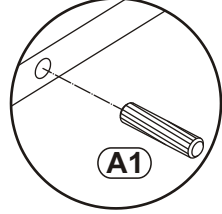
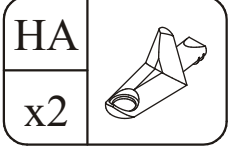
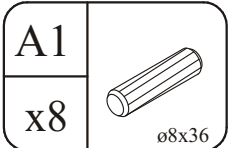
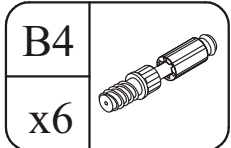
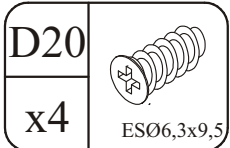
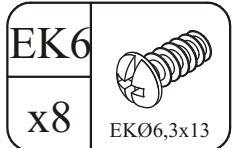
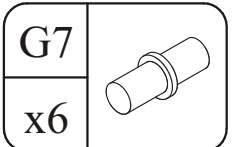
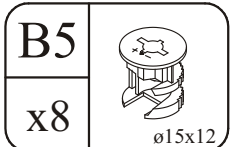
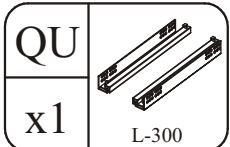
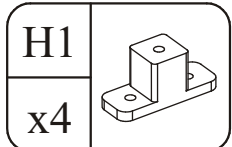
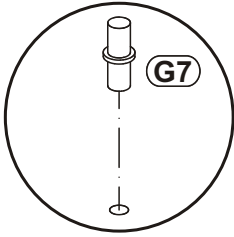
EK6	
x8	EKØ6,3x13

G20	
x1	

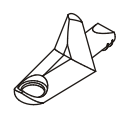
G2	
x1	

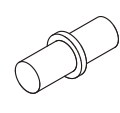


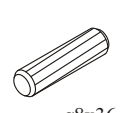
1

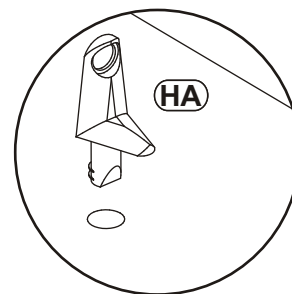
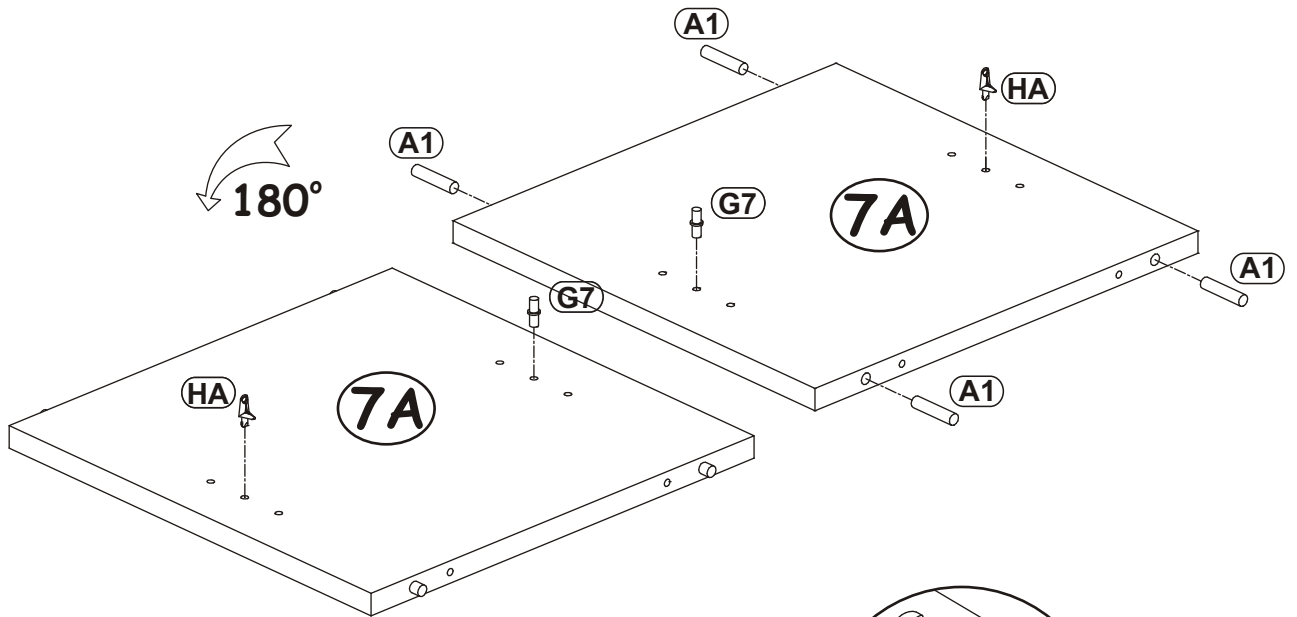
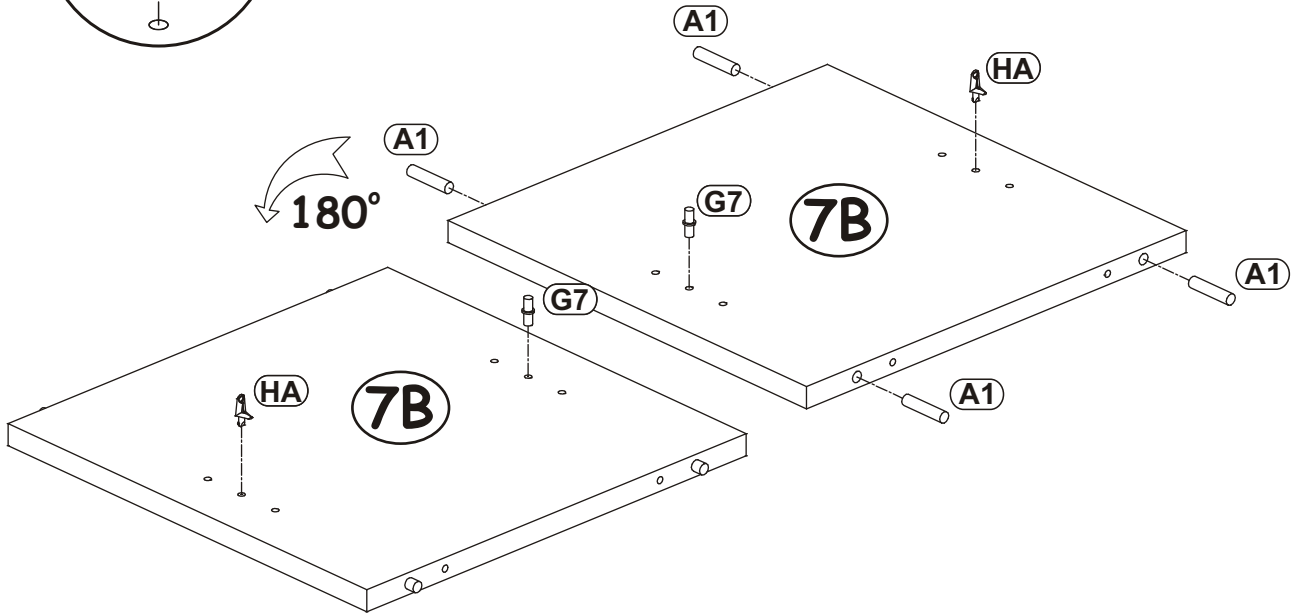
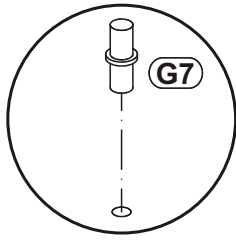


2

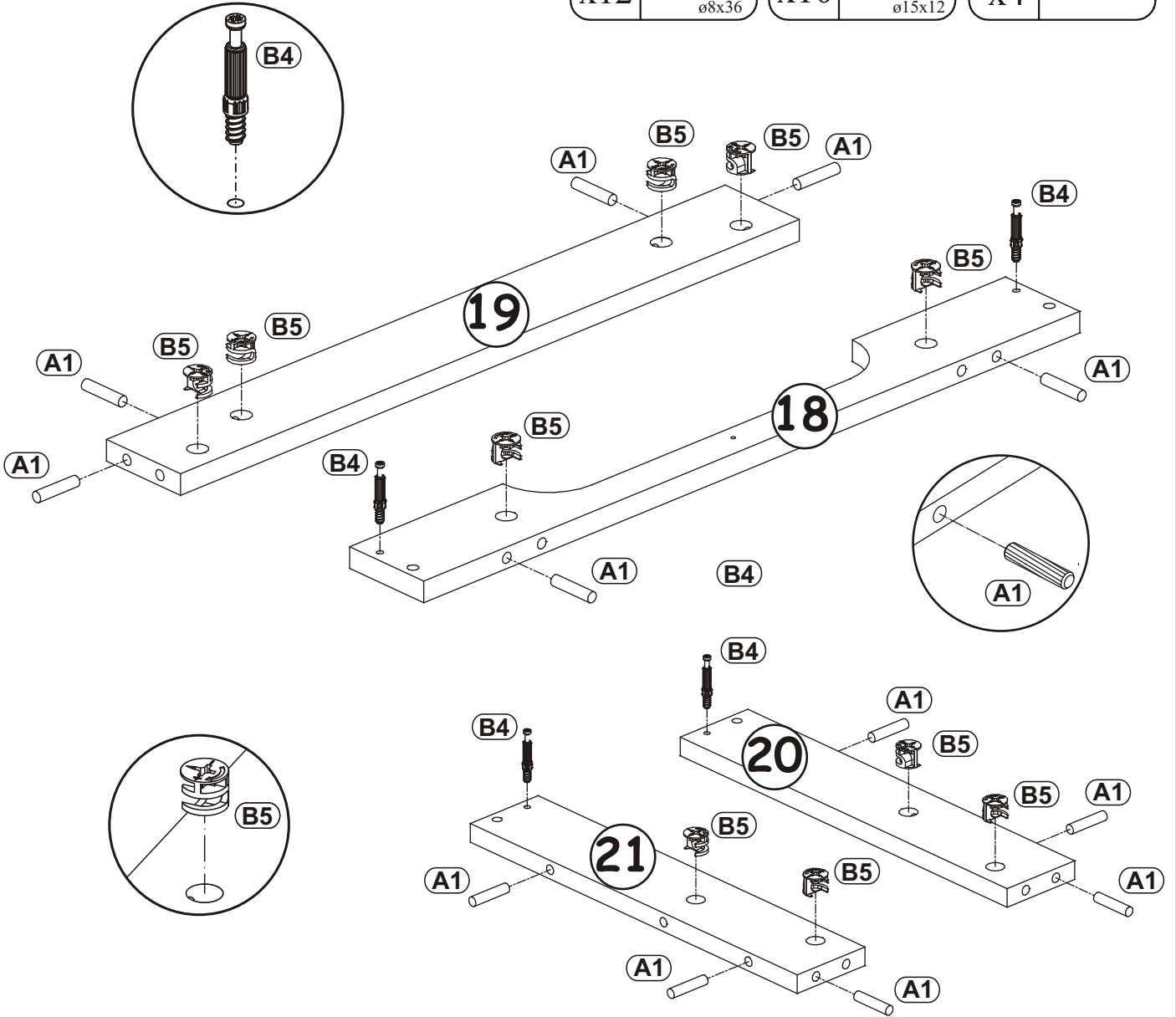
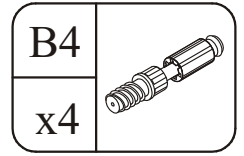
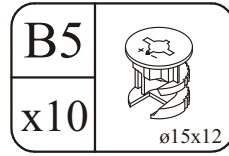
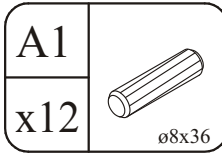
HA	
x4	

G7	
x4	

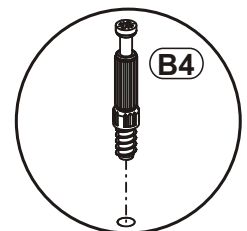
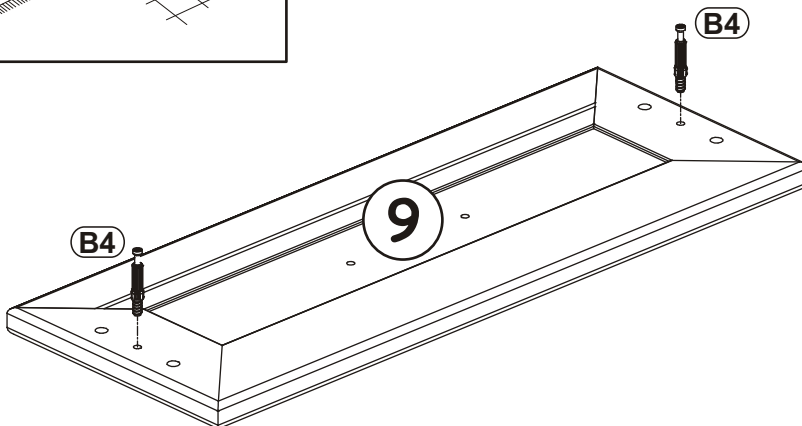
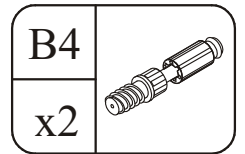
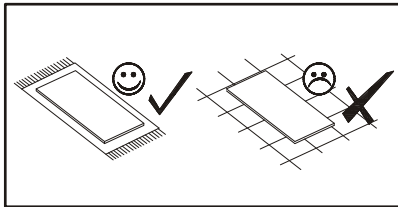
A1	
x8	ø8x36



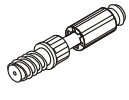
3

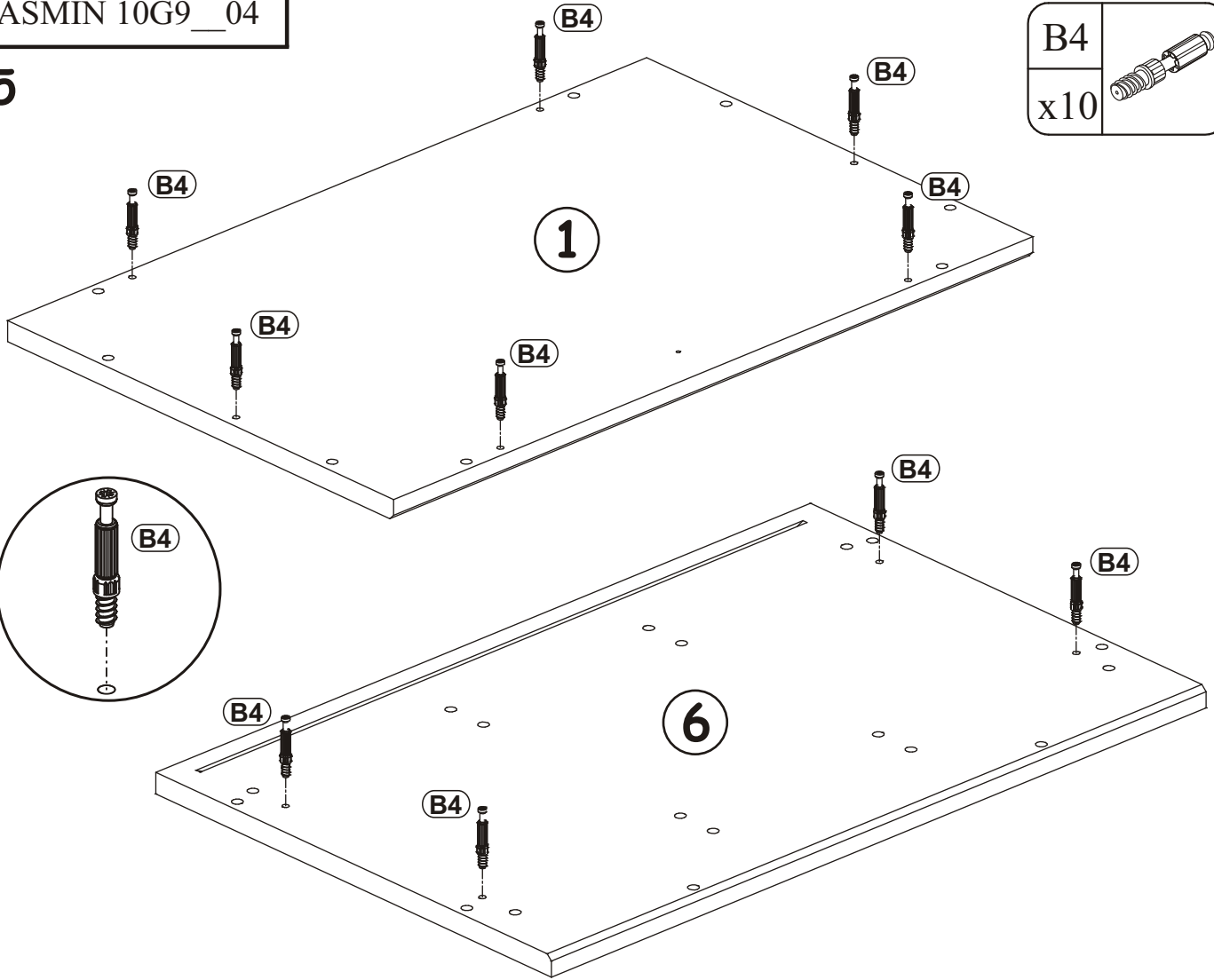


4

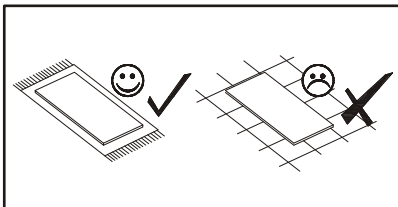



5

B4	
x10	

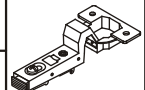


6

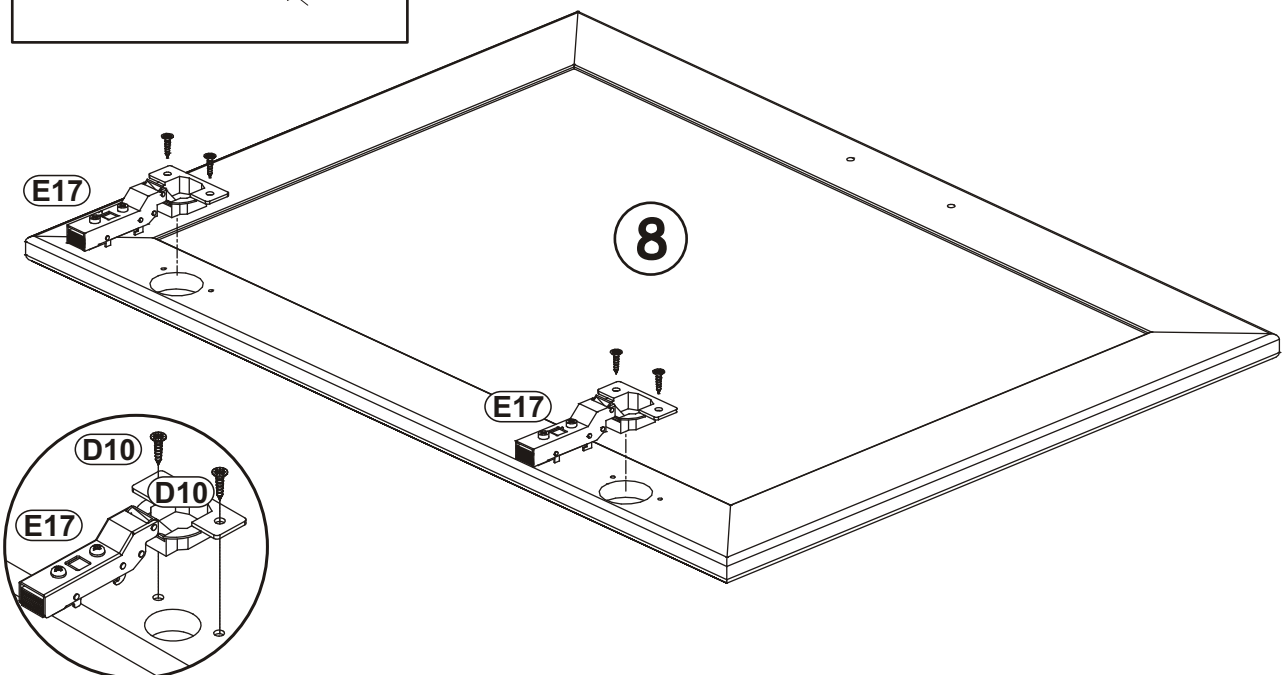


D10	
x4	

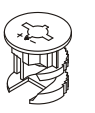
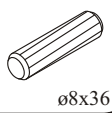
USØ3,5x13

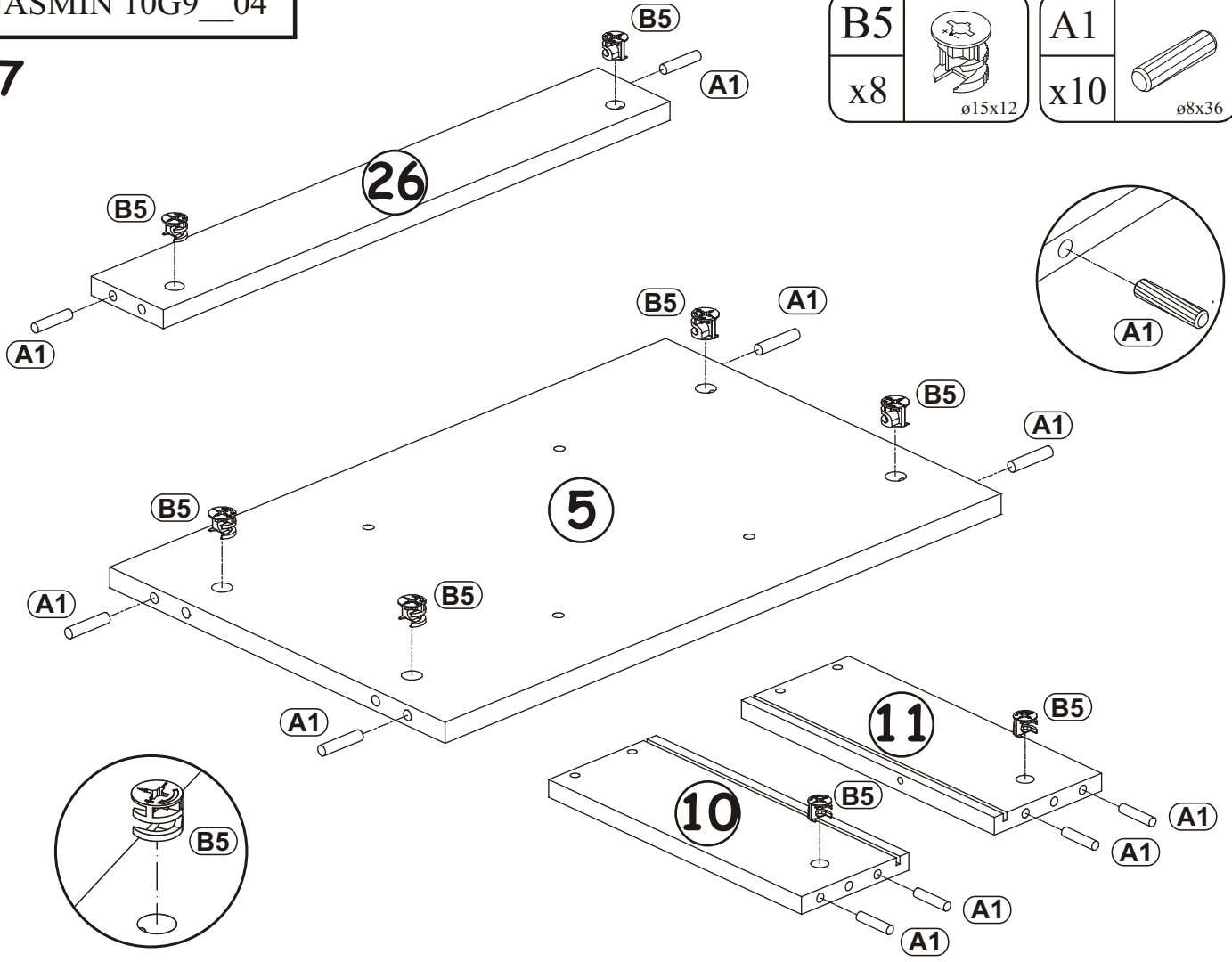
E17	
x2	

H=16






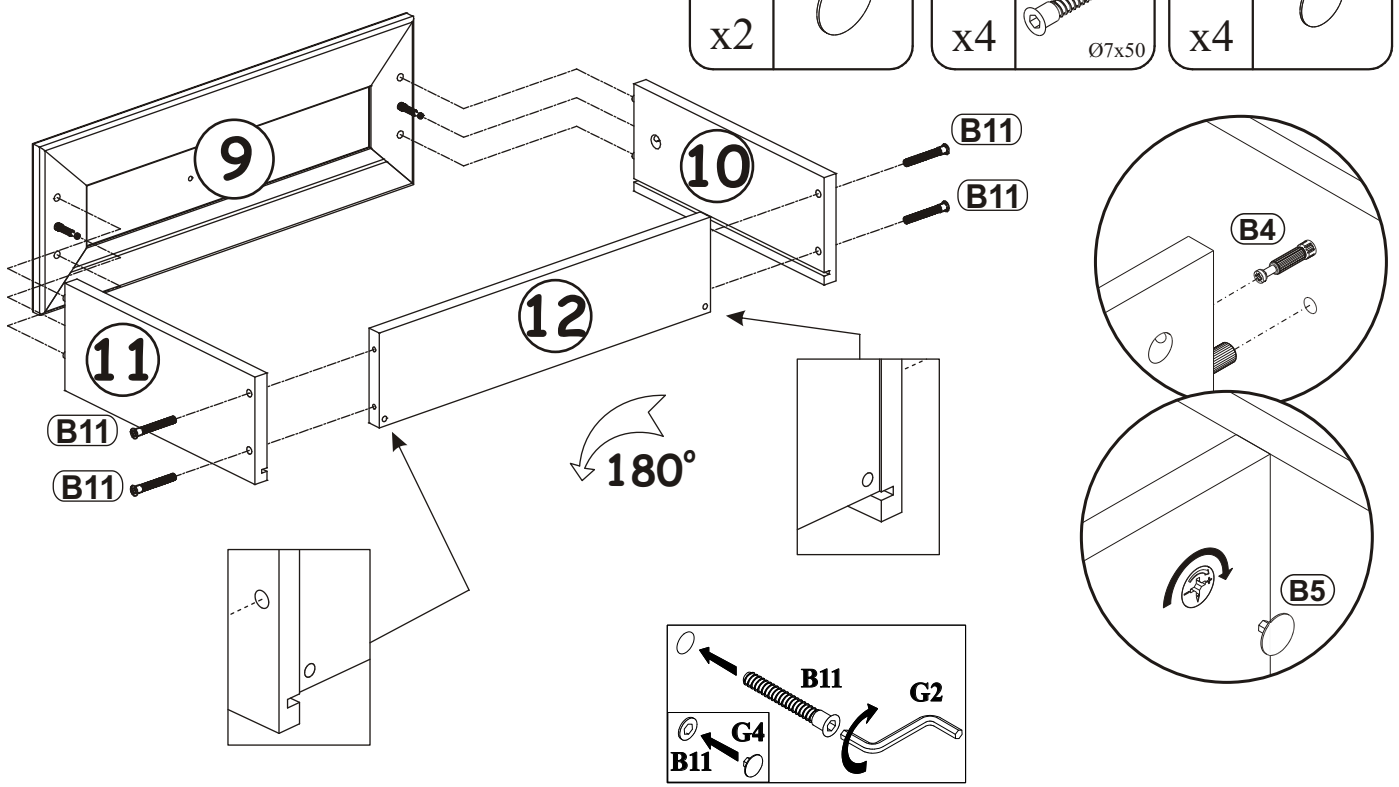
7

B5		A1	
x8	ø15x12	x10	ø8x36




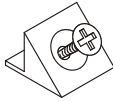
8

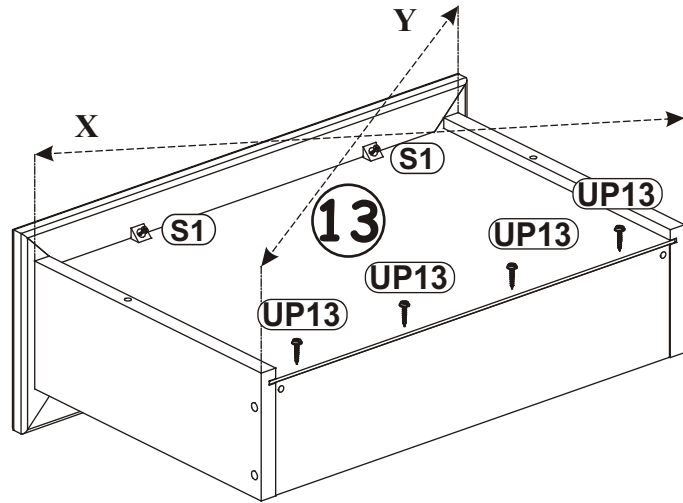
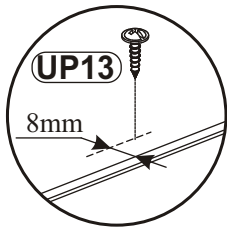
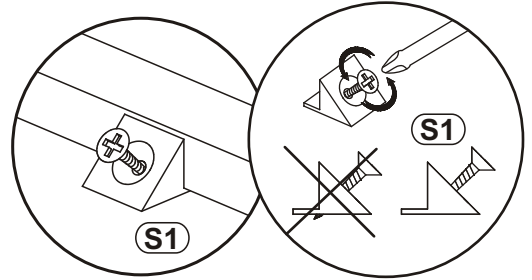
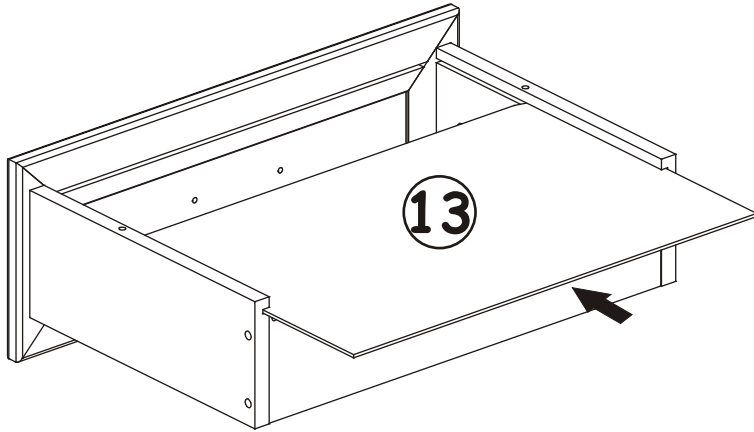
G5		B11		G4	
x2		x4	Ø7x50	x4	




9

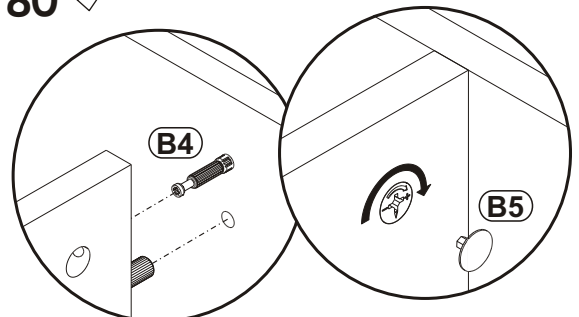
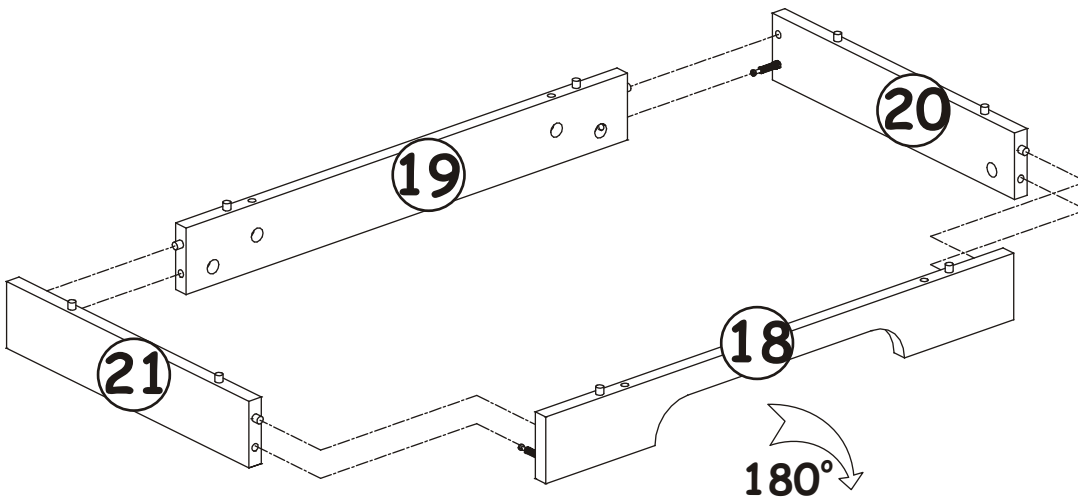
UP13	
x4	UPØ3x16

S1	
x2	

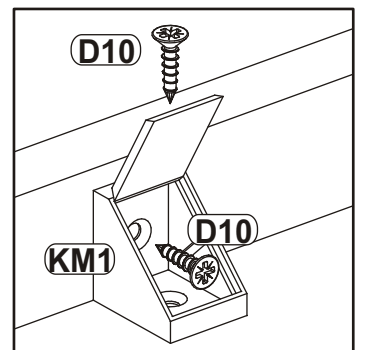
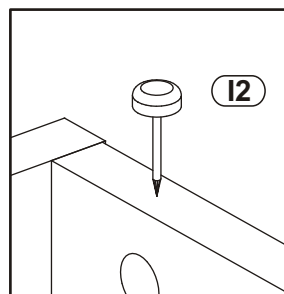
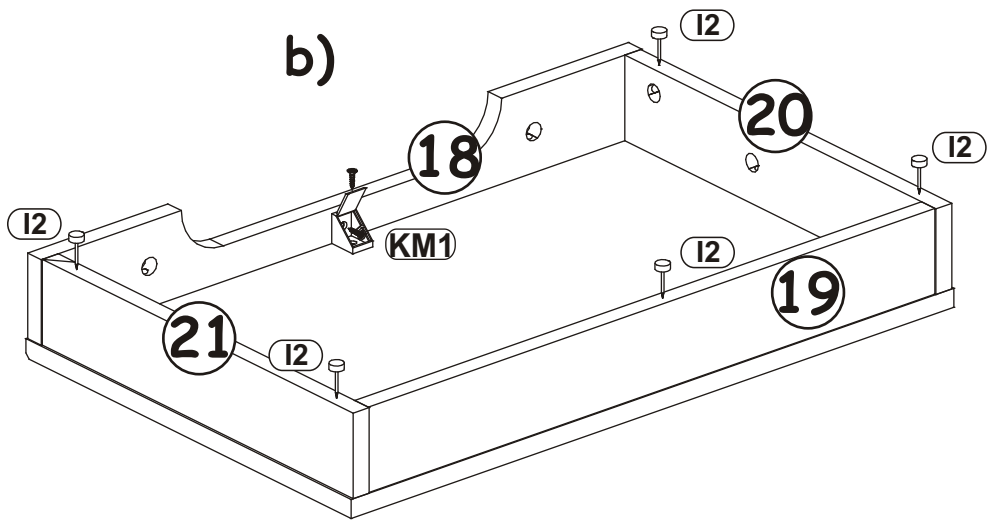
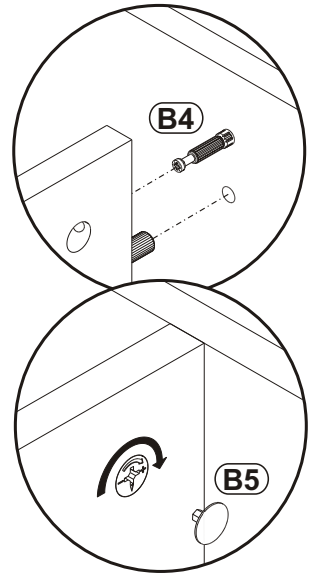
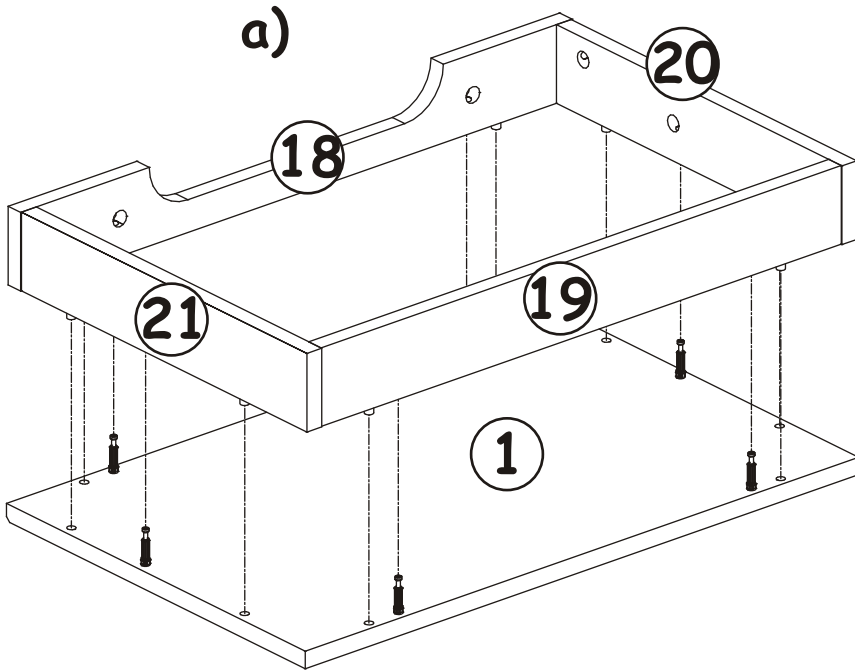
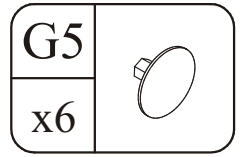
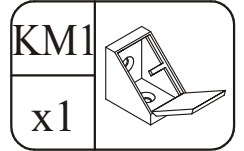
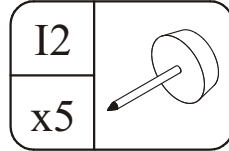
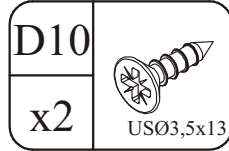


10

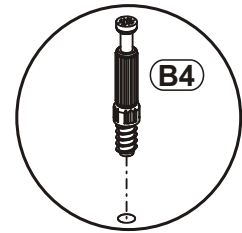
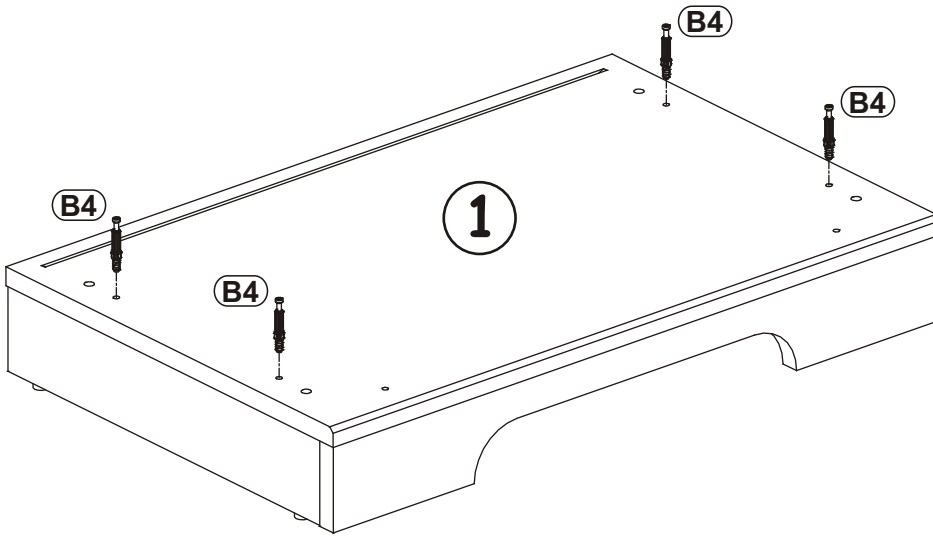
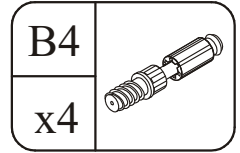
G5	
x4	



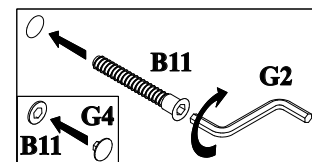
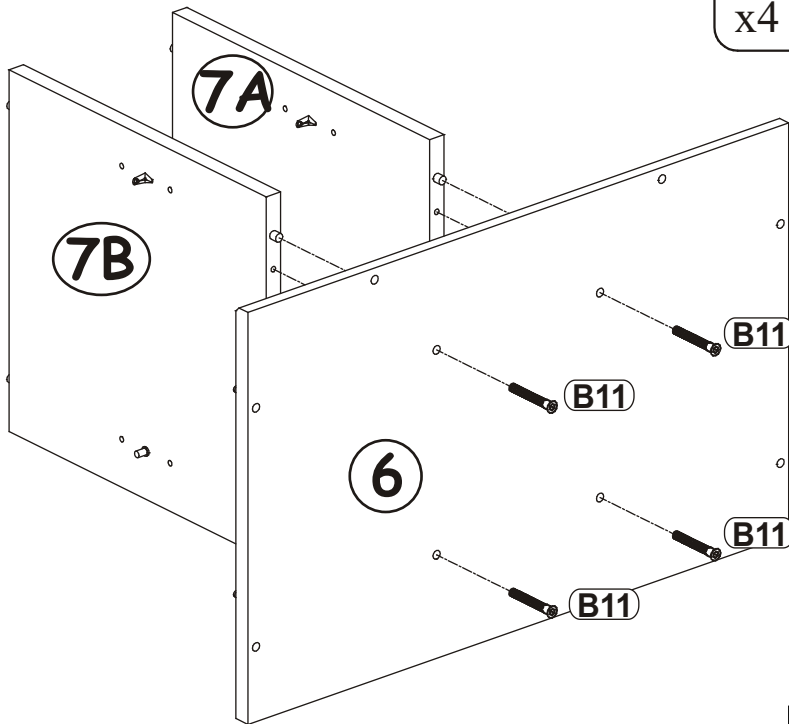
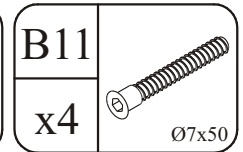
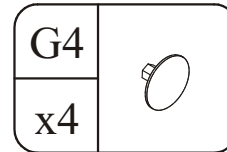
11




12




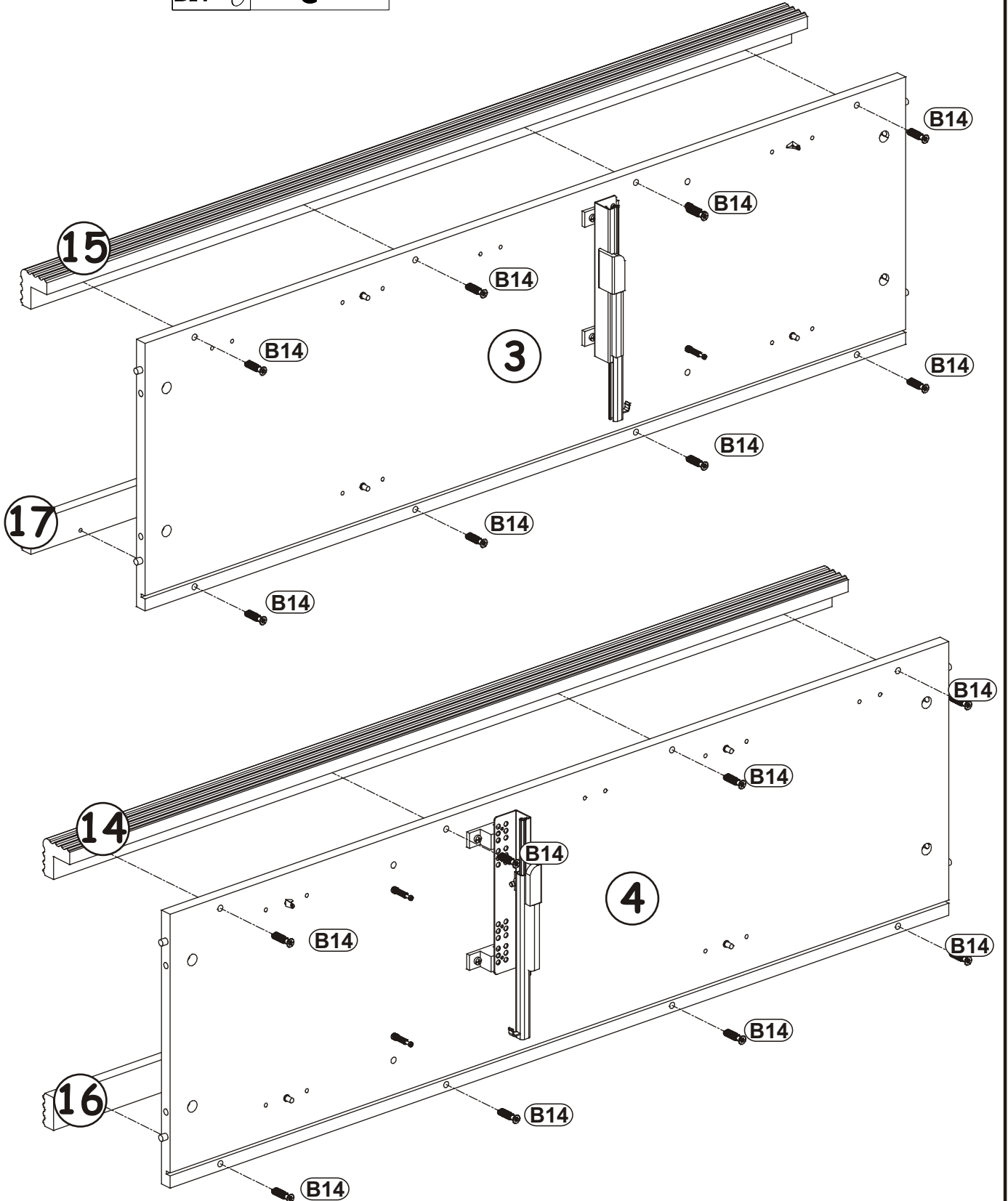
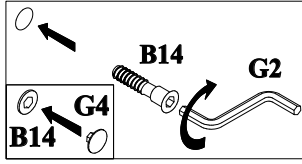
13




14

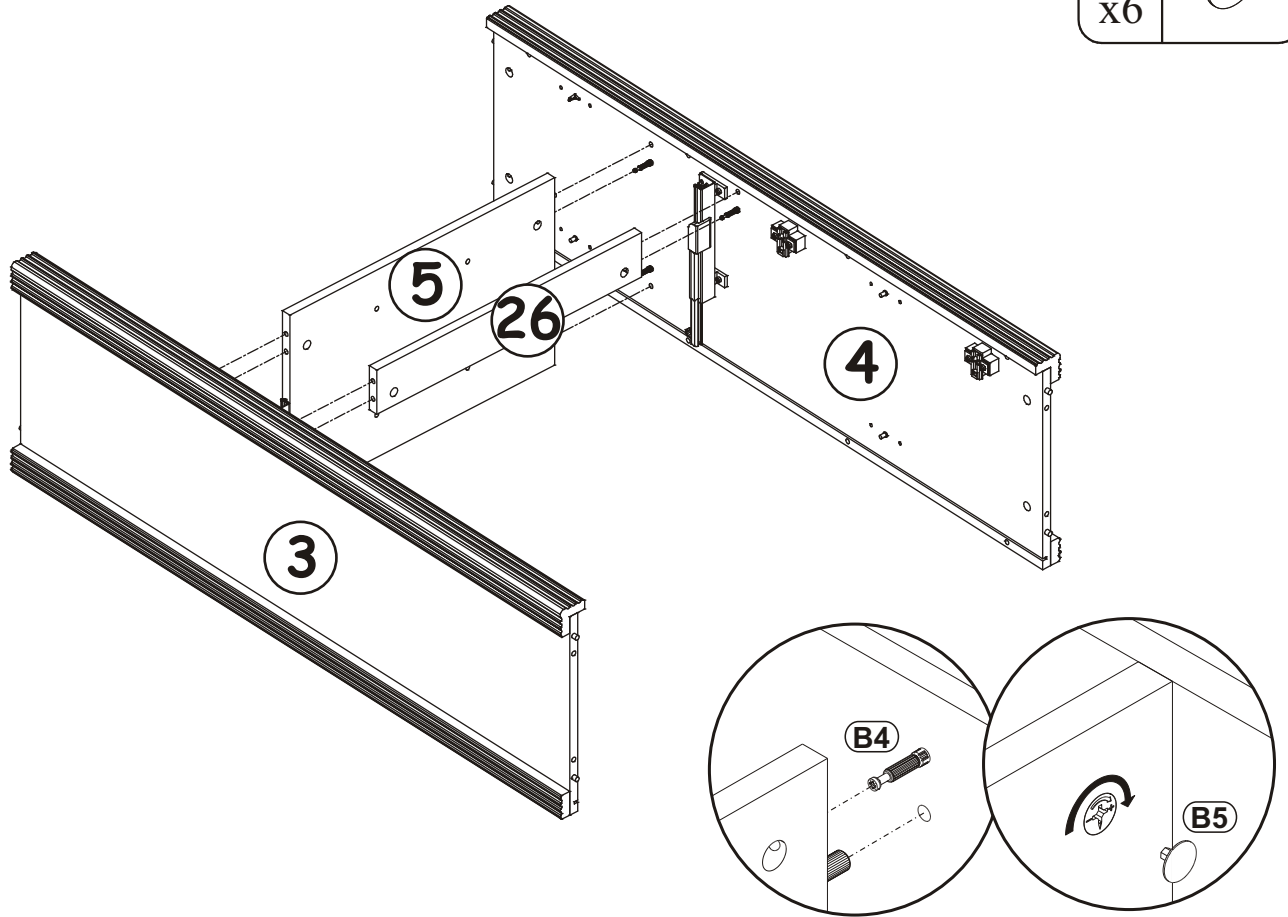
G4	
x16	

B14	
x16	Ø7x30

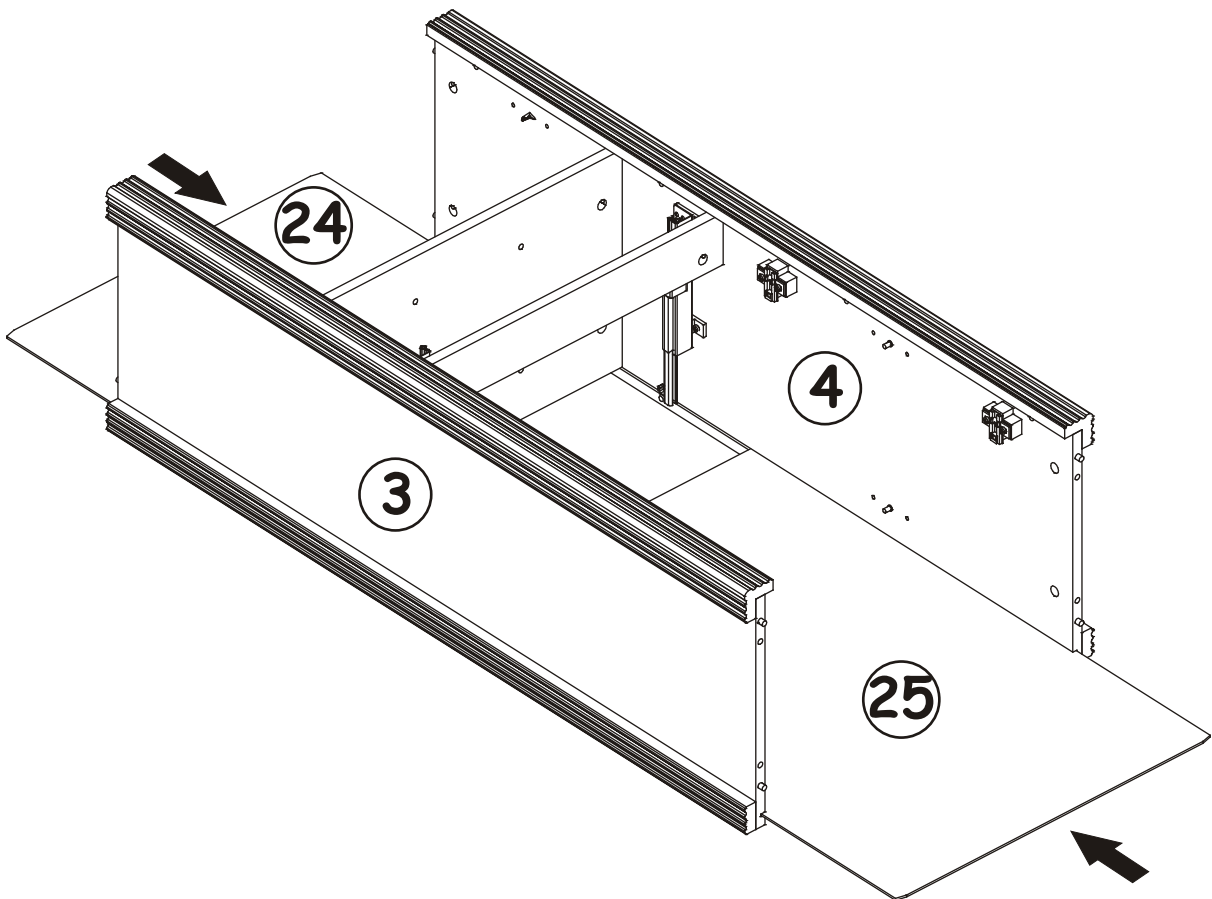


G5	
x6	

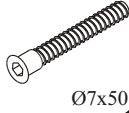


15

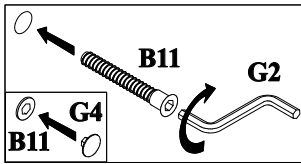
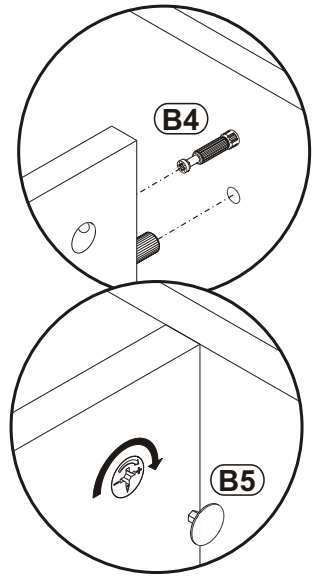
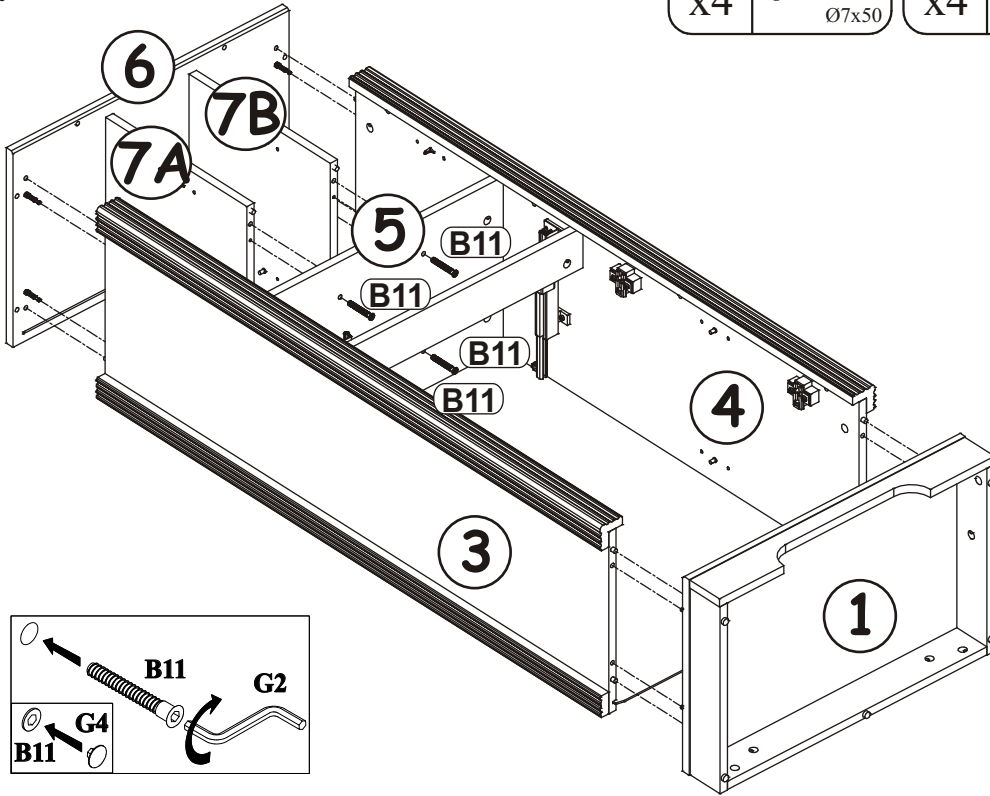


16




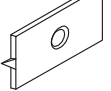
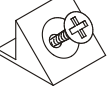
17

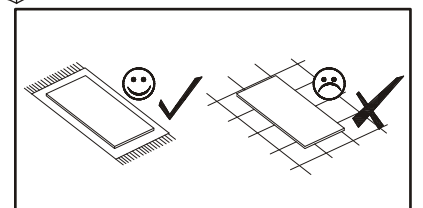
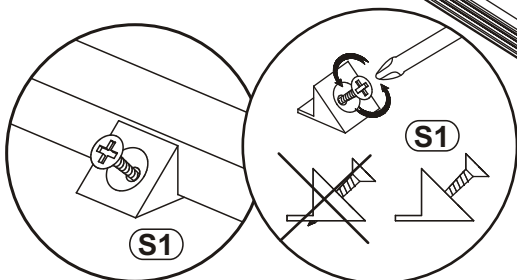
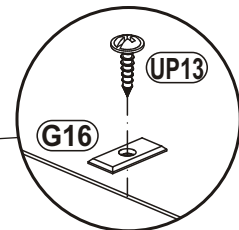
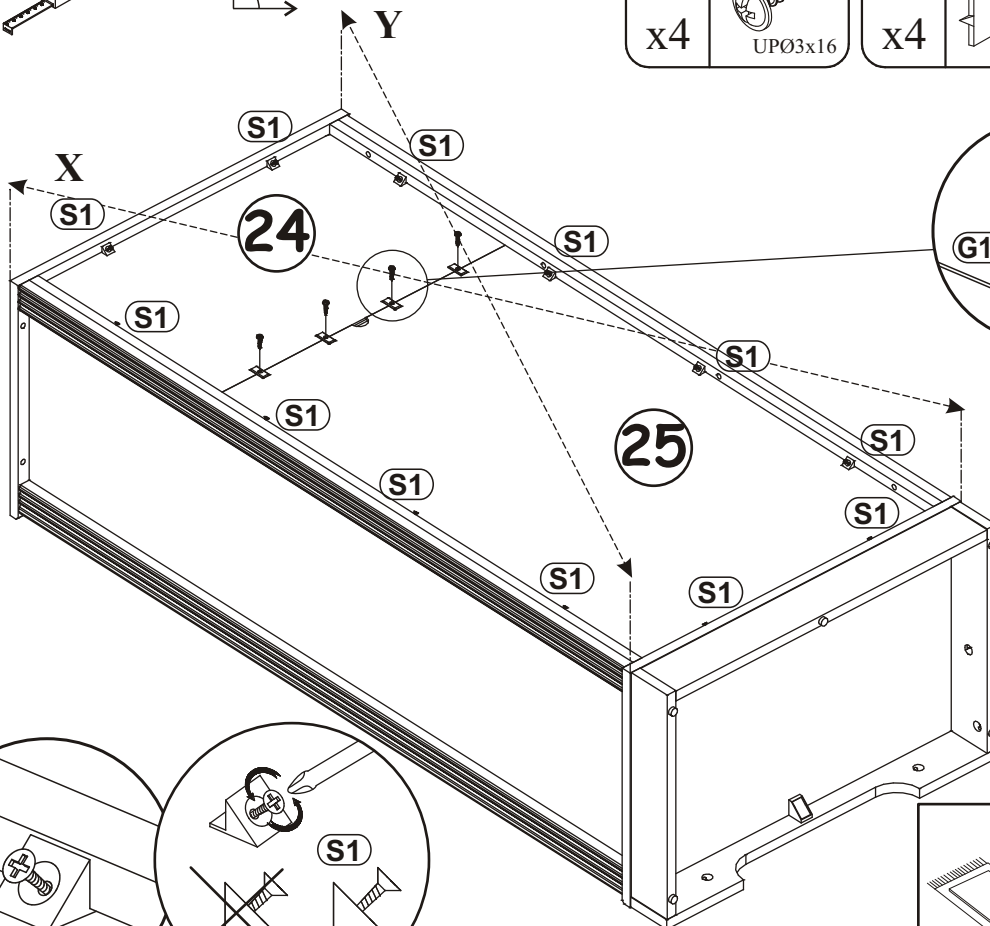
B11		G4		G5	
x4	Ø7x50	x4		x8	



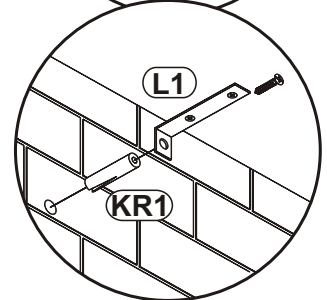
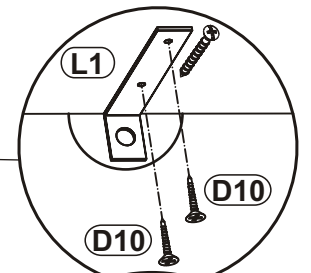
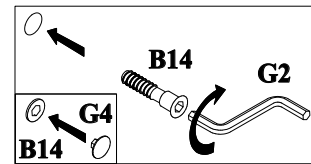
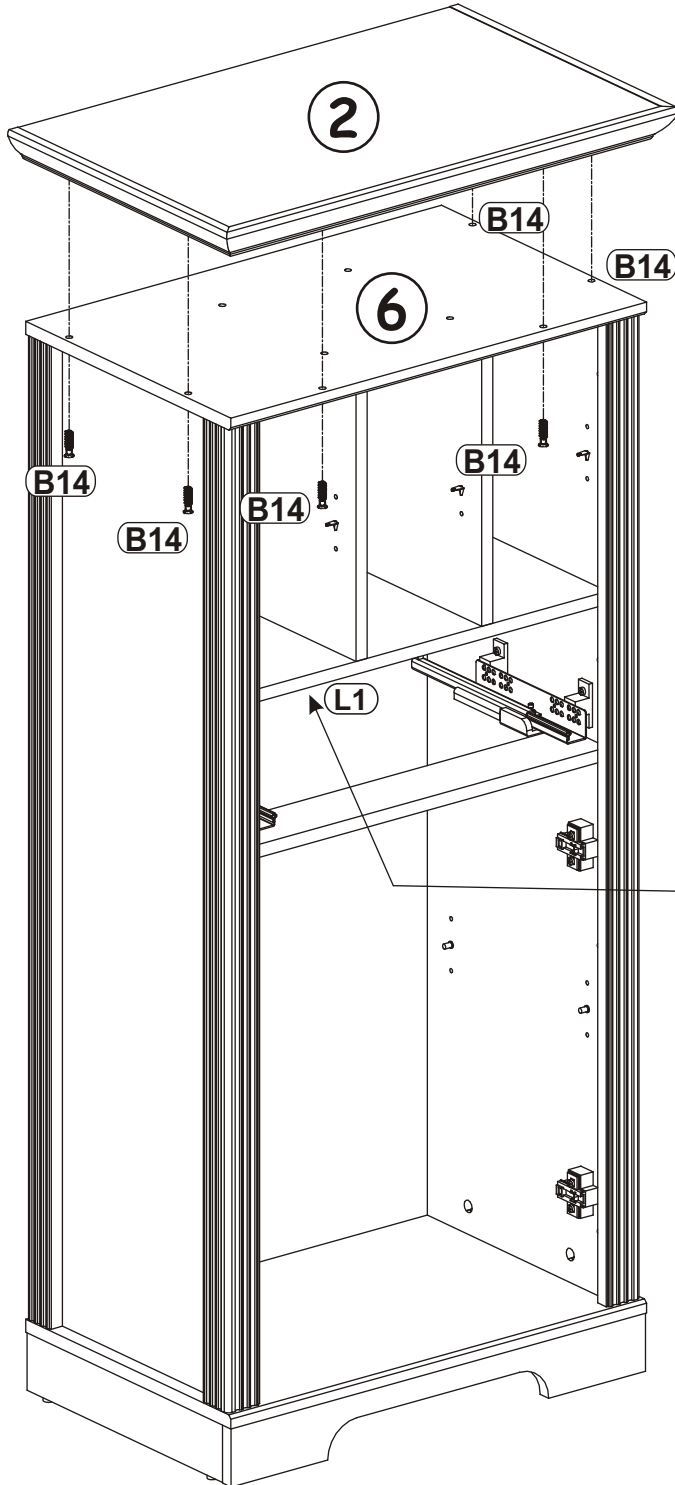
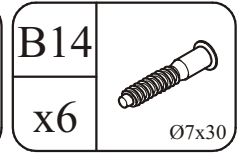
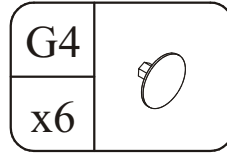
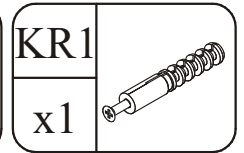
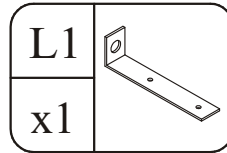
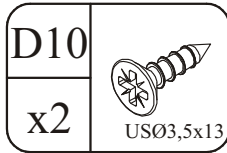
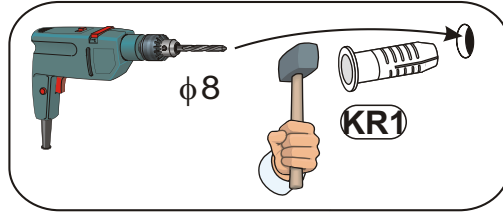
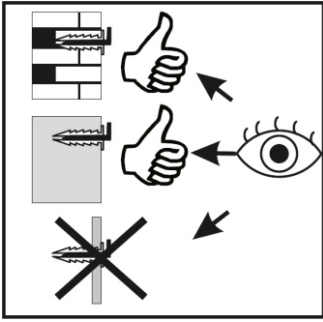
18



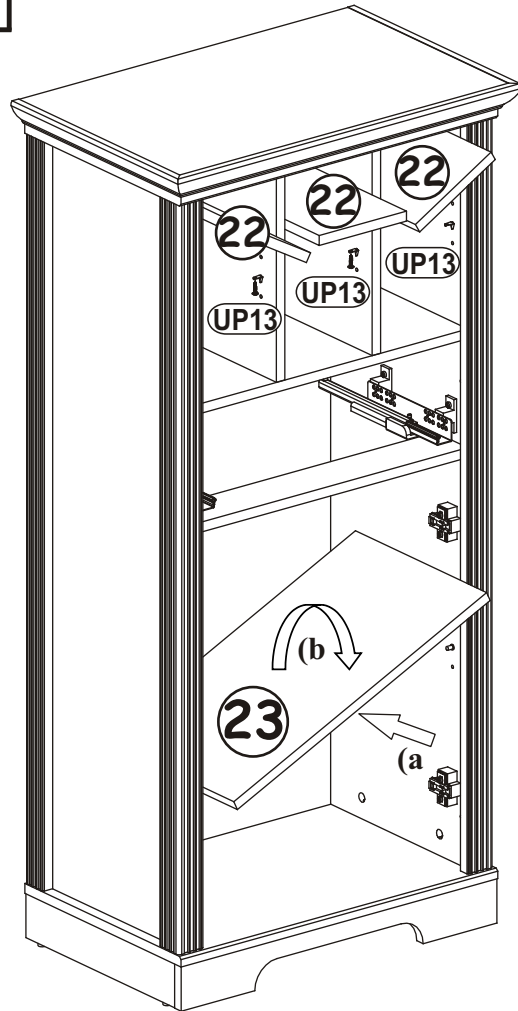
UP13		G16		S1	
x4	UPØ3x16	x4		x12	




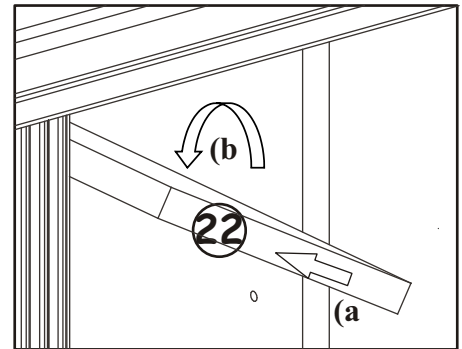
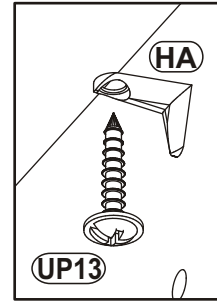
19



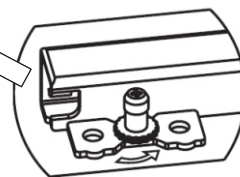
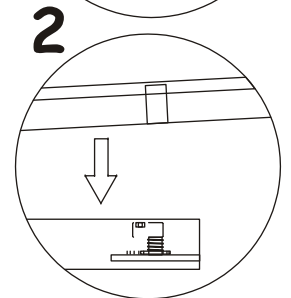
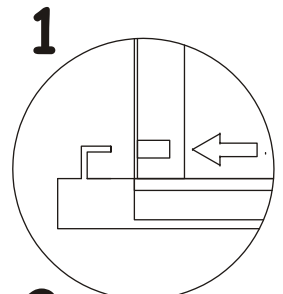
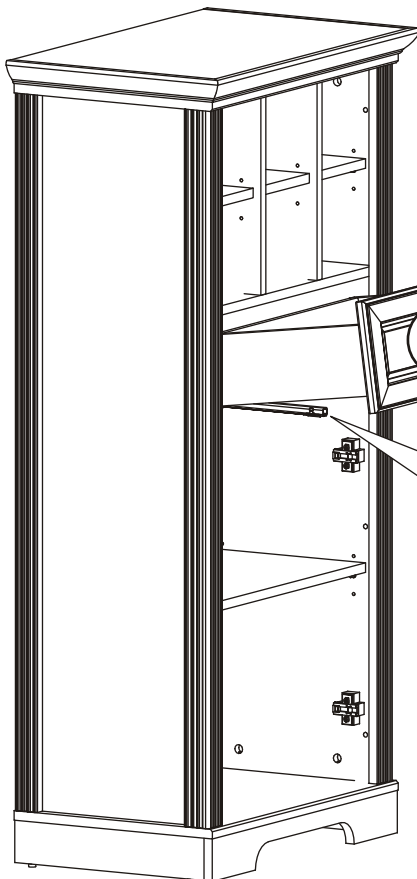
20



UP13	
x3	UPØ3x16

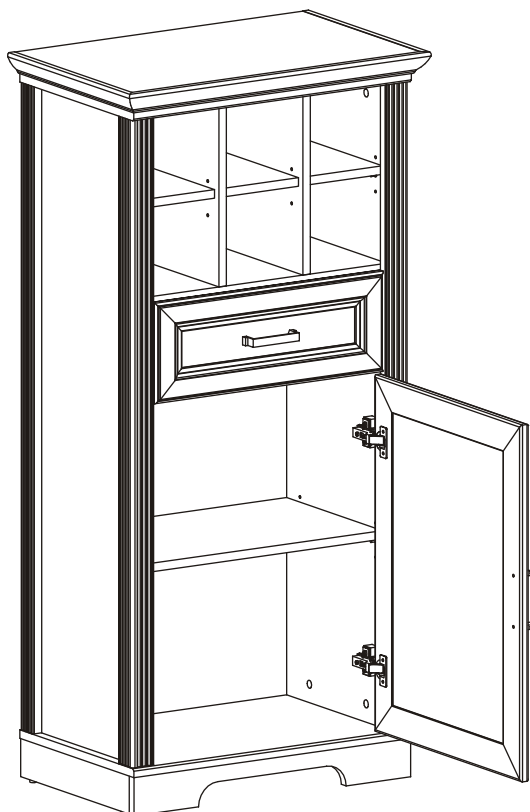


21

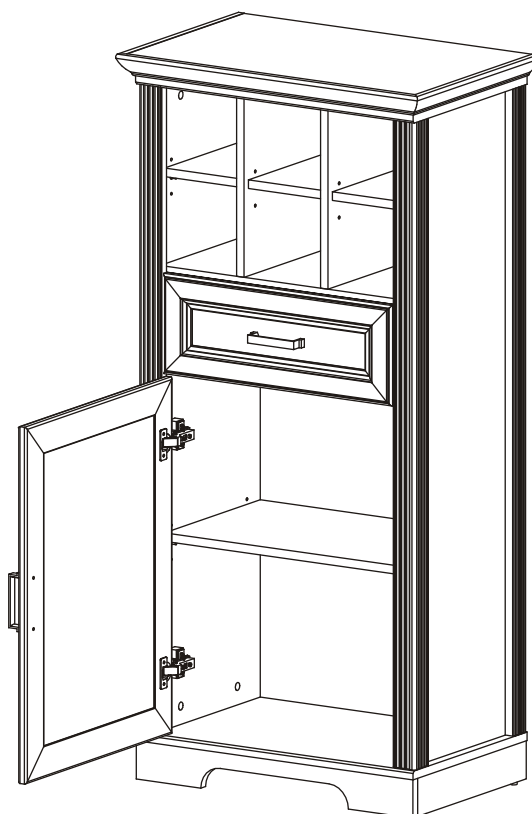


↑+4 mm

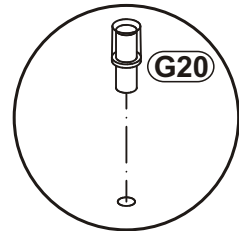
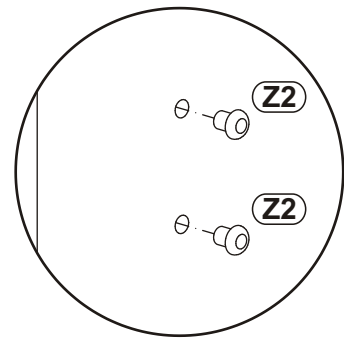
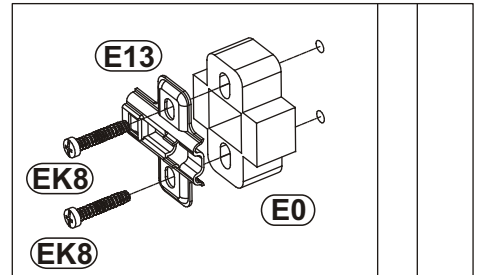
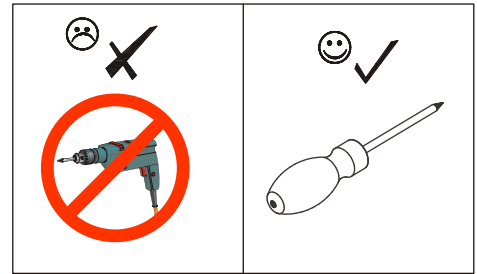
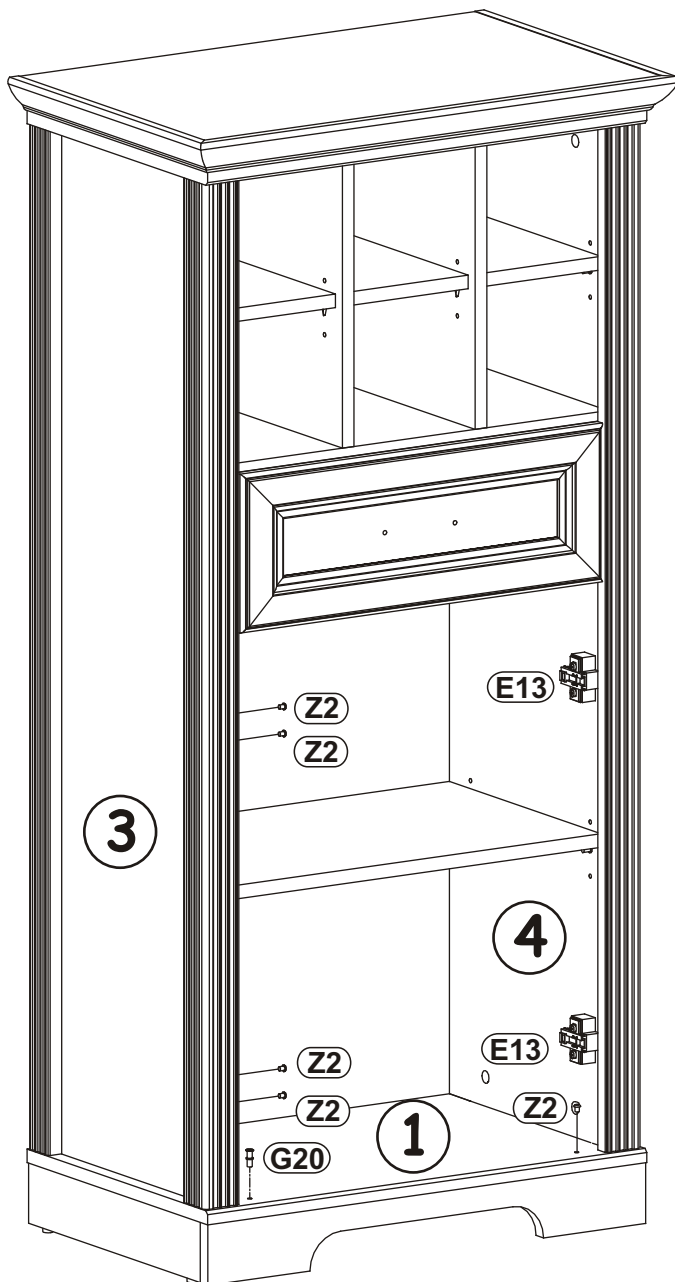
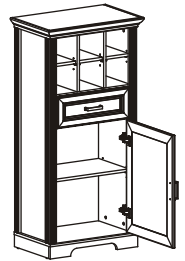
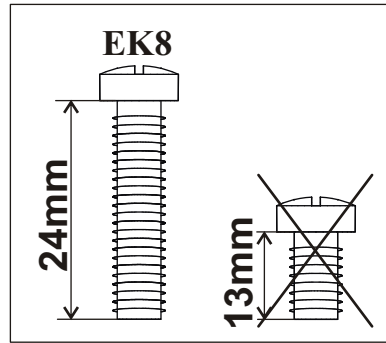
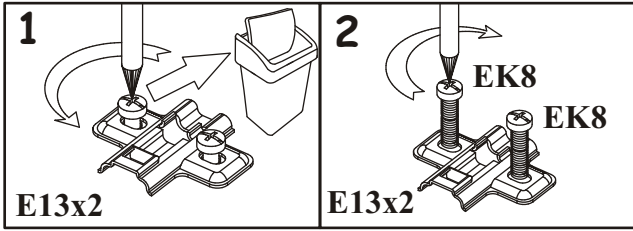
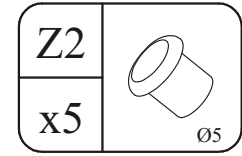
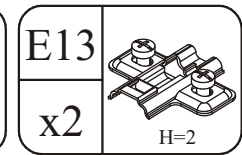
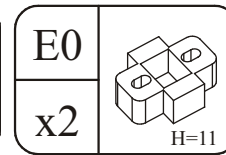
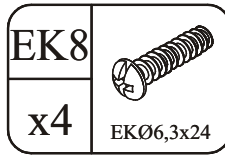
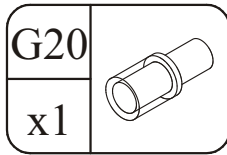
22 - 24



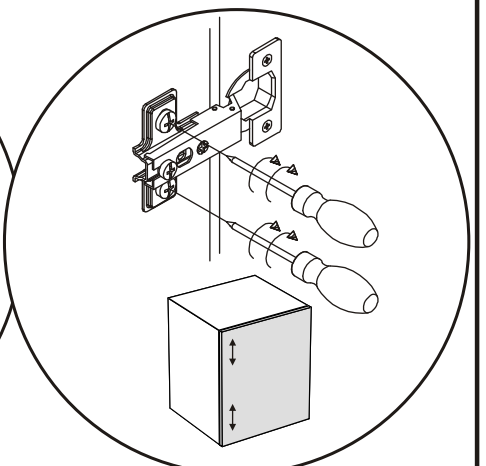
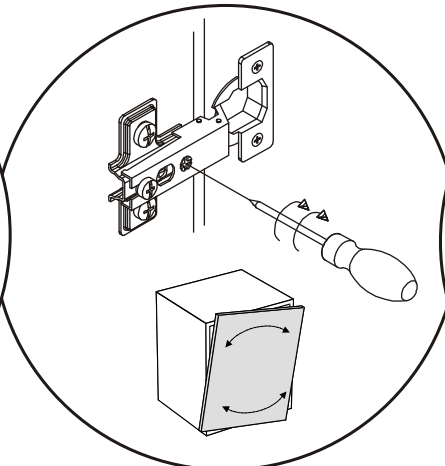
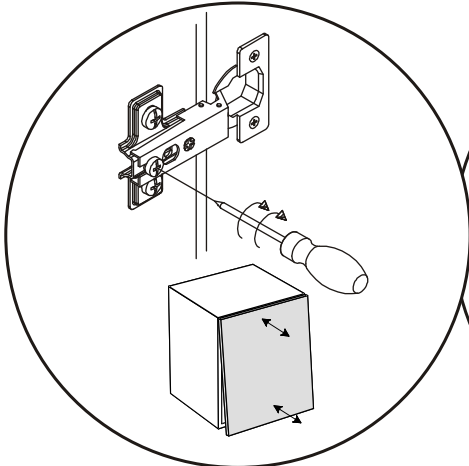
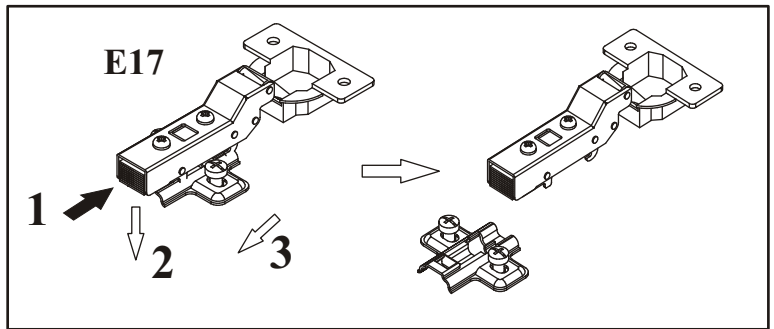
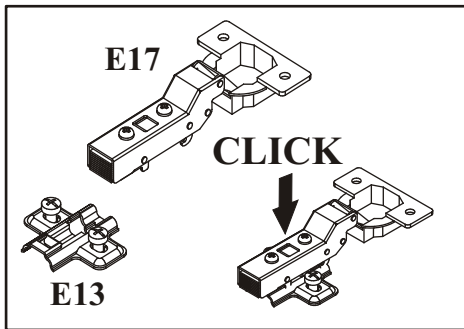
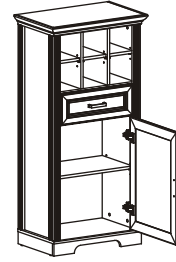
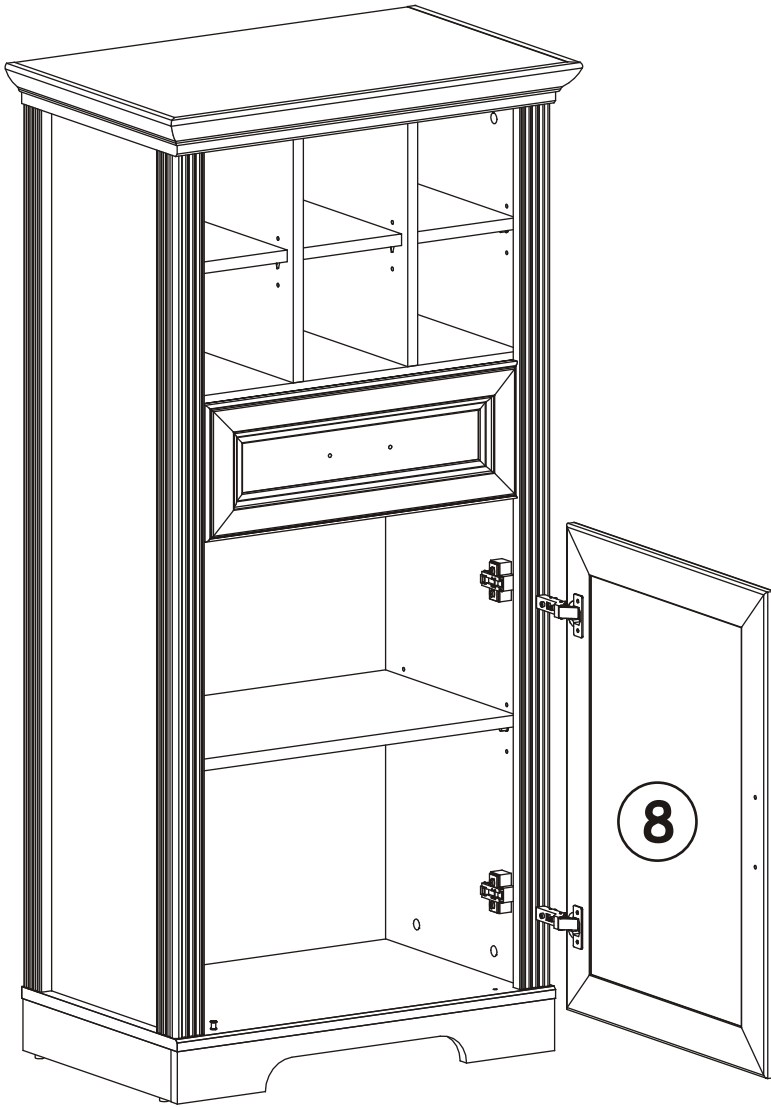
25 - 27

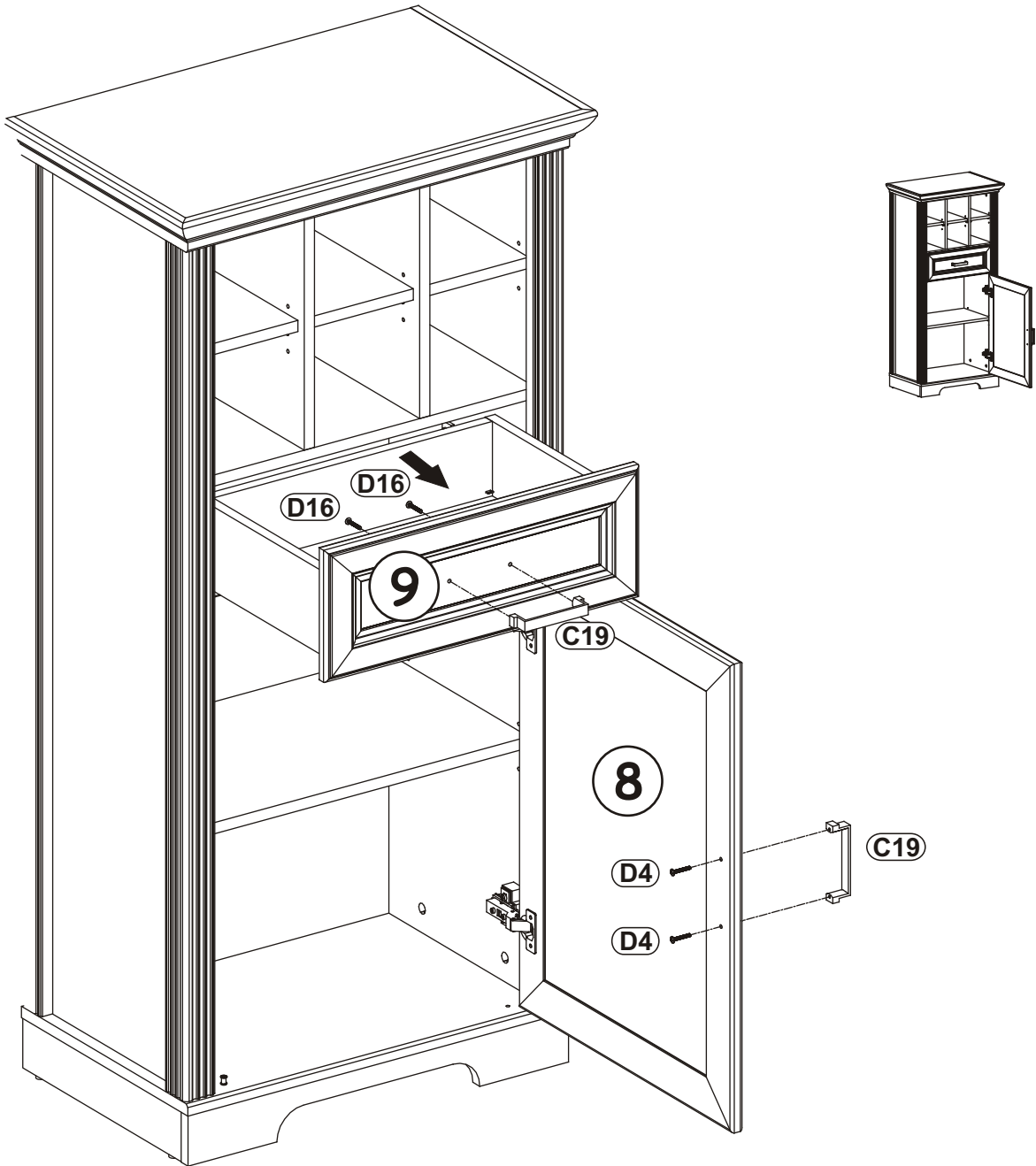
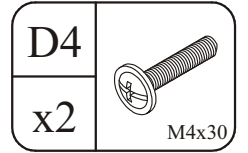
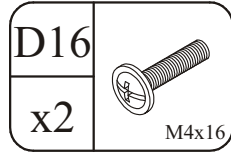
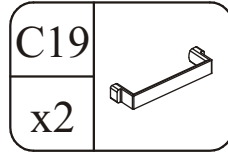


22



23





25

